

**Technical specification:**

- Rated voltage: 30 V  
IEC 61076-2-101
- Current rating: 2 A at 40°C  
IEC 61076-2-101
- Insulation resistance: >=100 MΩ  
IEC 60512
- Pollution degree: 3/2  
IEC 60664-1
- Degree of protection: IP 67, in mated condition  
IEC 60529
- Temperature range: -30°C ... +80°C  
IEC 60664-1
- Mating cycles: >=100  
IEC 60512-9a

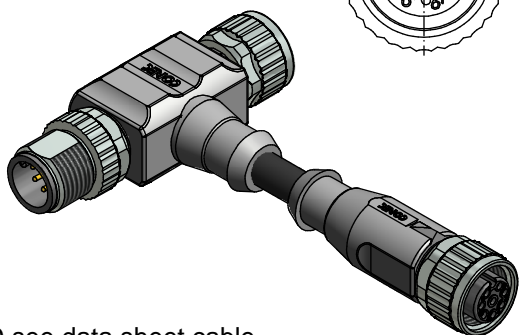
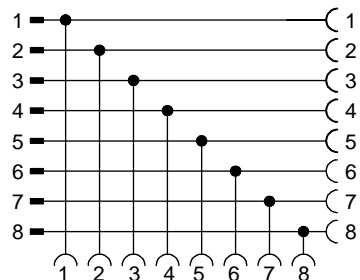
**Materials:**

- Contact: CuZn
- Contact plating: Nickel, gold plated
- Contact carrier: TPU GF, UL 94
- Sealing: FPM
- Coupling nut/ screw: GD-Zn, nickel plated
- Moulding body: TPU, UL 94, grey

**Installation specification:**

- Recommended torque: 0,6 Nm
- Conec installation tool: Torque wrench: 36-000200  
Insert across flats 13: 36-000220

**Contact assignment:**



D see data sheet cable

Part no:	Description:	Length L:	Cable:
43-05128	SAL - 12 - TS8 - TK8 - RK8 - 0,3 / K1	0,3m	TPU, UL 20549, black, 8x0,25mm <sup>2</sup> Cable: 781-K12800
43-05129	SAL - 12 - TS8 - TK8 - RK8 - 0,6 / K1	0,6m	
43-xxxxx	SAL - 12 - TS8 - TK8 - RK8 - ... / K1	x	

DO NOT ALTER CAD DRAWING BY HAND Directive 2002/95/EC RoHS compliant	Index: a 29.03.11 VF Ä3767 Coupling nut/ screw modified, spanner flats added, data sheet modified	dim. in mm	
	tolerance of cable: L ≤ 4m: L + 40mm L > 4m: L + 1%	date	name
		drawn	16.10.09
	general tolerance: 0 ± 0,50mm 0,0 ± 0,25mm 0,00 ± 0,10mm	appd.	16.10.09
THIS DRAWING MAY NOT BE COPIED OR REPRODUCED IN ANY WAY, AND MAY NOT BE PASSED ON TO A THIRD PARTY WITHOUT WRITTEN PERMISSION. OWNERSHIP AND COPYRIGHT OF CONEC GmbH			

**CONEC**®

title: <b>T-Junction, male connector M12x1 - female connector M12x1 - female connector M12x1 axial</b>
dwg no: <b>43K1A1003</b>
part no: <b>see table</b>