



CCA13S/90 shown with piece parts



CMA13-20/90 - Module Subrack with 8 EFP modules, 2" wide

Designed in accordance with EIA standard RS-310, Vector subracks and modules offer versatility within a 19" rackmount format. All racks are adjustable in both height and depth, offering standard product solutions for standard and custom requirements. All Subrack sizes are compatible with Vector prototyping boards (see Vectorboard® section,), and can accommodate other sizes as well. Several card guide types (metal or plastic, snap-in, rivet, or screw-down) are available.

Subrack & Module Rack Types by Part Number Stem

1. **CCK** Card cage frame kit-*easy assembly* kits. Available with and without guides. Accepts Snap-in plastic, rivet or screw-down guides, plastic or metal. Guide spacing is .25".
2. **CCA** Same as CCK version, but assembled with guides.
3. **CMA** Assembled module rack for EFP modules. Modules available separately.
4. **CCM** Assembled rack for card mount modules (CM type); Modules available separately.

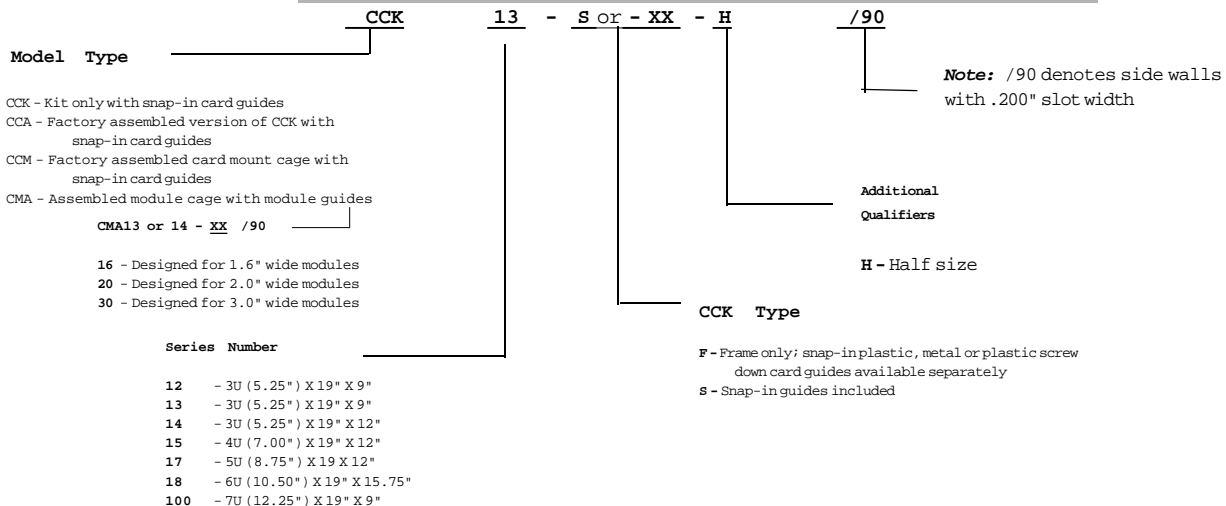
Model

Type	H X W X D	Versions	Max. Card Size
CCA, K 12/90	3U X 19" X 9"	Assembled or kit	4.5" X 6.5"
CCA, K 13/90	3U X 19" X 9"	Assembled or kit	4.5" X 6.5"
CCA, K 14/90	3U X 19" X 12"	Assembled or kit	4.5" X 9.6"
CCA, K 15/90	4U X 19" X 12"	Assembled or kit	7" X 9.6"
CCA, K 17/90	5U X 19" X 12"	Assembled or kit	8.75" X 12.0"
CCK 18/90	6U X 19" X 15.75"	Frame kit only	9.75" X 13.5"
CCK 100S/90	7U X 19" X 9"	Kit	
CCM 13/90	3U X 19" X 9"	Assembled or kit	4.5" X 6.5"

Model

Type	H X W X D	Versions	Max. Card Size
CCM 14/90	3U X 19" X 12"	Assembled only	4.5" X 9.6"
CCM 15/90	4U X 19" X 12"	Assembled only	4.5" X 9.6"
CMA 13-16/90	3U X 19" X 9"	Assembled only	4.5" X 6.5"
CMA 13-20/90	3U X 19" X 12"	Assembled only	4.5" X 6.5"
CMA 14-16/90	3U X 19" X 12"	Assembled only	4.5" X 9.6"
CMA 14-20/90	3U X 19" X 12"	Assembled only	4.5" X 9.6"
CMA 14-30/90	3U X 19" X 12"	Assembled only	4.5" X 9.6"

EIA- Based Subrack Ordering Information

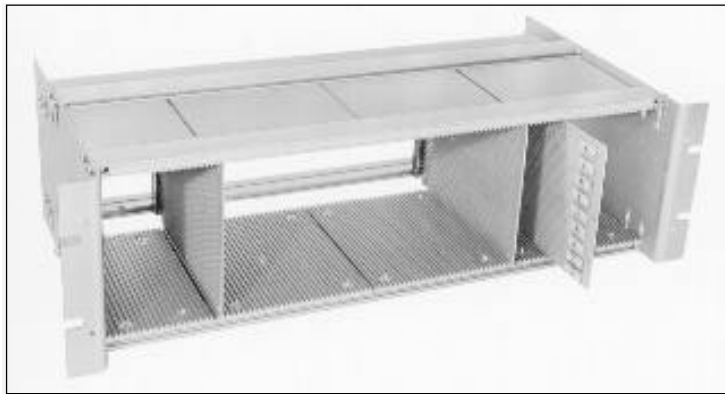




CCA13S/90 - Assembled Subrack with 21 pairs of Snap-In Guides

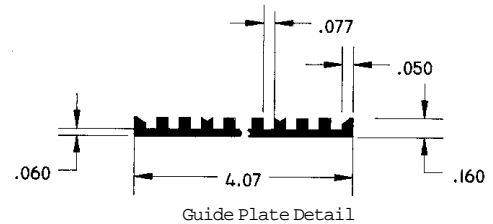
Card-Mount System

- Guide positions at .25" increments
- Adjustable slots
- Construction: .080" thick aluminum, clear anodized finish
- Sidewall slots provide adjustability to 1"
- For 4.5" X 6.5" cards
- Rear struts for mounting connectors



CCA13C/90 - Assembled Subrack with continuous guide plate

Subrack with continuous groove guide plates allows maximum flexibility in card placement.

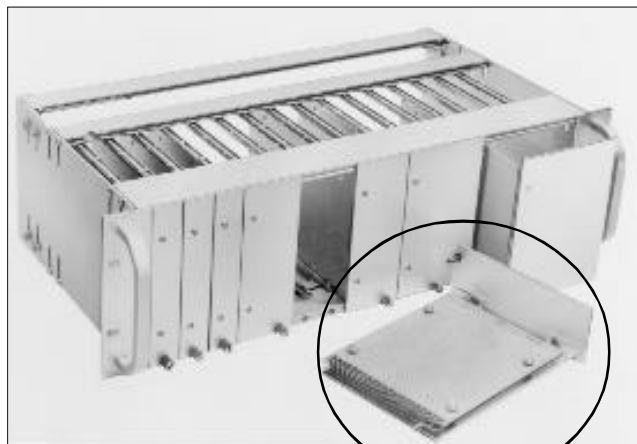


CCK13F - Subrack Frame only

CCK13F is a subrack frame kit. It will accept cardmount modules and snap-in (CG2-65S) or screw-mount card guides (CG2-65M, CG2-65P).

Products

Part No.	Description	Dimensions (H x W x D)	Version
CCK12S/90	Card cage kit	3U (5.25") X 19" X 9"	Kit with 21 pairs of snap-in guides
CCK13F/90	Card cage frame kit	3U (5.25") X 19" X 9"	Frame only
CCA13S/90	Card cage assembly	3U (5.25") X 19" X 9"	Assembled with 21 pairs of snap-in guides
CCA13C/90	Card cage assembly	3U (5.25") X 10" X 9"	Assembled with continuous guide plate (see above)
CCK13S-H/90	Card cage kit	3U (5.25") X 10.25" X 9"	Half-size kit with 11 pairs of snap-in guides
CCK13S-HT/90	Card cage kit	3U (5.25") X 8.24" X 8.12"	Modified, half-size kit with 11 pairs of snap-in guides
CCK14F/90	Card cage frame kit	3U (5.25") X 19" X 12"	Frame only
CCA14S/90	Card cage assembly	3U (5.25") X 19" X 12"	Assembled with 21 pairs of snap-in guides
CCA15S/90	Card cage assembly	4U (7.00") X 9" X 12"	Assembled with 21 pairs of snap-in guides
CCA17S/90	Card cage assembly	5U (8.75") X 19" X 12"	Assembled with 21 pairs of snap-in guides
CCK18F/90	Card cage frame kit	6U (10.50") X 19" X 15.75"	Frame only
CCK 100S/90	Card cage kit	7U (12.25") X 19" X 9"	Kit with 21 pairs of snap-in guides



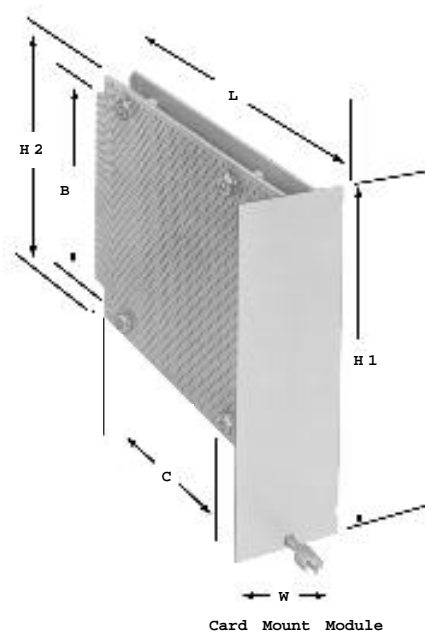
CCM 13S/90 - Card Module
Rack with assorted cardmount modules

Universal Card-Mount System

- Accepts CM45A65 Card Mount Modules
- Card guide positions are variable at .25" increments
- Assembled module rack with plastic snap-in guides installed on 1" centers
- Different width modules may be inserted interchangeably without guide changes
- Card mount modules (CM Series) with 1" to 4" widths
- For 3U and 4U applications
- Adjustable rear struts for connection of backplanes (struts available separately)
- .062" thick aluminum plates are inserted into guide; PC Card is attached firmly to plate
- Front panels on card mount may be removed for custom punching, plating and printing
- Modules may be secured by thumb screws (SC10-3A, 10-32 included)



CCM 15S/90 - Assembled Subrack
(shown with optional Dress Panels and Handles)



Part No.	Dimensions	# Of Card Guides	Versions	Card Size
CCM13S/90	3U X 19" X 9"	16 pairs on 1" Ctrs.	Assembled	4.5" X 6.5"
CCM14S/90	3U X 19" X 12"	16 pairs on 1" Ctrs.	Assembled	4.5" X 9.6"
CCM15S/90	4U X 19" X 12"	16 pairs on 1" Ctrs.	Assembled	6.25" X 9.6"

Part No.	Height		Width W	Length			Module Rack	Card Guide
	H1	H2		L	B	C		
CM45A65-1	5.25"	4.5"	1.0"	6.57"	3.8"	3.6"	CCM13S	CG2-65
CM45B95-1	5.25"	4.5"	1.0"	9.57"	3.8"	6.6"	CCM14S	CG2-95
CM45A65-2	5.25"	4.5"	2.0"	6.57"	3.8"	3.6"	CCM13S	CG2-65
CM45B95-2	5.25"	4.5"	2.0"	9.57"	3.8"	6.6"	CCM14S	CG2-95
CM62F95-2	7.0"	6.25"	2.0"	9.57"	5.5"	6.6"	CCM15S	CG2-95
CM45A65-4	5.25"	4.5"	4.0"	6.57"	3.8"	3.6"	CCM13S	CG2-65
CM45B95-4	5.25"	4.5"	4.0"	9.57"	3.8"	6.6"	CCM14S	CG2-95

Includes hardware, order cages and modules separately

11115 Vanowen ST., N.Hollywood, CA 91605 Phone(818)985-8208 Fax(818)985-7708
Toll-Free (800) 423-5659



Products