

Technical specification:

Rated voltage: IEC 61076-2-101	3pos 250 V
Current rating: IEC 61076-2-101	4 A at 40°C
Insulation resistance: IEC 60512	>=100 MΩ
Pollution degree: IEC 60664-1	3/2
Degree of protection: IEC 60529	IP 67, in mated condition
Temperature range: IEC 60664-1	-30°C ... +80°C
Mating cycles: IEC 60512-9a	>=100

Materials:

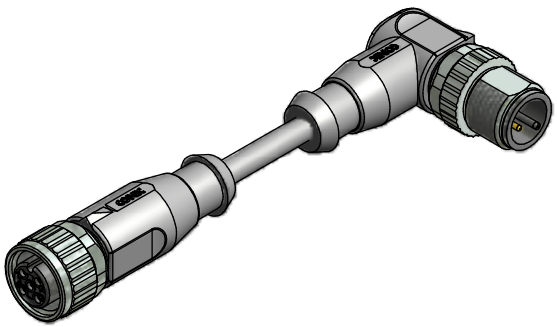
Contact:	CuZn
Contact plating:	Nickel, gold plated
Contact carrier:	TPU GF, UL 94
Sealing:	FPM
Coupling nut/ screw:	GD-Zn, nickel plated
Moulding body:	TPU, UL 94, grey

Installation specification:

Recommended torque:	0,6 Nm
Conec installation tool:	Torque wrench: 36-000200 Insert across flats 13: 36-000220

Contact assignment:

- 1) brown
- 3) blue
- 4) black



Part no:	Description:	Length L:	Cable:
43-14593	SAL - 12 - RK3 - RSW3 - 0,3 / A1 / A1090	0,3m	PVC, grey, 3x0,34mm² Cable: 781-A13300
43-14594	SAL - 12 - RK3 - RSW3 - 0,6 / A1 / A1090	0,6m	
43-14595	SAL - 12 - RK3 - RSW3 - 1,5 / A1 / A1090	1,5m	
43-14596	SAL - 12 - RK3 - RSW3 - 3,0 / A1 / A1090	3m	
43-xxxxx	SAL - 12 - RK3 - RSW3 - ... / A1 / A1090	x	

D see data sheet cable

DO NOT ALTER CAD DRAWING BY HAND	Directive 2002/95/EC RoHS compliant		dim. in mm	title: Connecting cable M12x1, female connector axial - male connector angled		
			date		name	
		tolerance of cable: L ≤ 4m: L + 40mm L > 4m: L + 1%	drawn	17.01.11	Franz	dwg no: 43K1A1274
		THIS DRAWING MAY NOT BE COPIED OR REPRODUCED IN ANY WAY, AND MAY NOT BE PASSED ON TO A THIRD PARTY WITHOUT WRITTEN PERMISSION. OWNERSHIP AND COPYRIGHT OF CONEC GmbH	appd.	17.01.11	Mankopf	

