

4

3

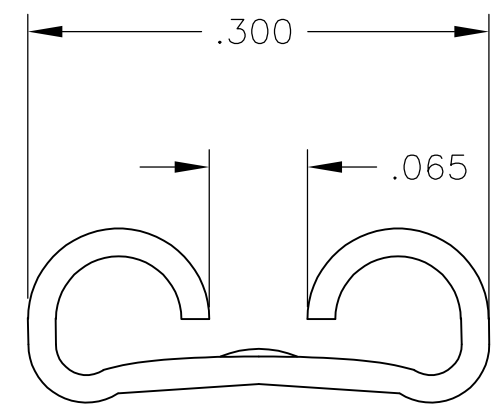
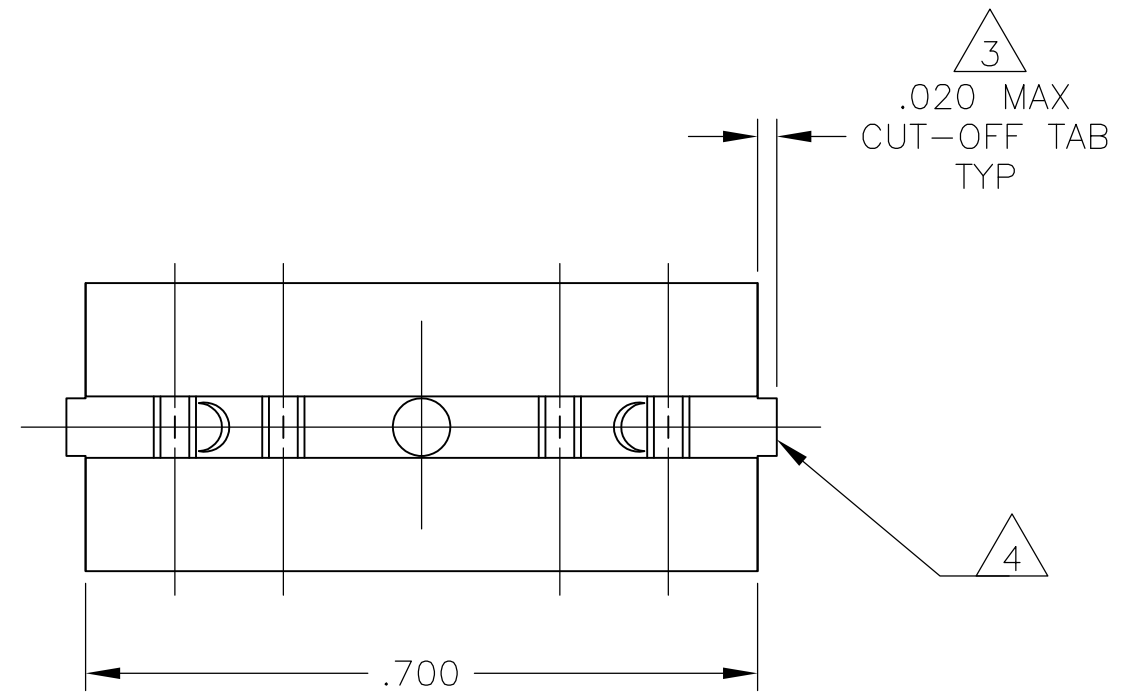
2

1

THIS DRAWING IS UNPUBLISHED. RELEASED FOR PUBLICATION
 © COPYRIGHT - By - ALL RIGHTS RESERVED.

LOC	DIST	REVISIONS			
P	LTR	DESCRIPTION	DATE	DWN	APVD
AF	50	K	REVISED PER ECR-11-018063	26DEC11	KH PD

- 1 SUPPLIED IN LOOSE PIECE.
- 2 MATING TAB THK IS $.032 \pm .001$
- 3 LOOSE PIECE AFTER PLATING
- 4 BARE EDGES ARE PERMITTED



VIEW X-X
SCALE 8:1



3 4	SILVER PLATE	61810-3
	TIN	61810-2
	FINISH	PART NO.

THIS DRAWING IS A CONTROLLED DOCUMENT.		DWN	JR RUTH	7/16/92	TE Connectivity		
DIMENSIONS: INCHES		CHK	MS FEHER	7/16/92			
		APVD	C MEYERS	7/16/92			
TOLERANCES UNLESS OTHERWISE SPECIFIED:		PRODUCT SPEC		NAME			
0 PLC ± - 1 PLC ± - 2 PLC ± - 3 PLC ± .005 4 PLC ± - ANGLES ± -		APPLICATION SPEC		SIZE	CAGE CODE	DRAWING NO	RESTRICTED TO
MATERIAL: BRASS		FINISH: SEE TABLE		WEIGHT	A3 00779 C-61810		-
CUSTOMER DRAWING				SCALE	5:1	SHEET	1 OF 1
				REV	K		